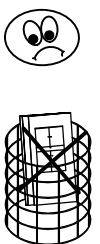
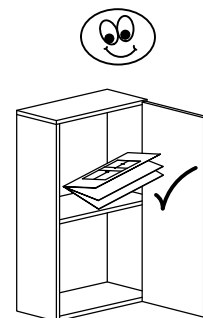
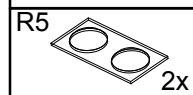
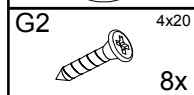
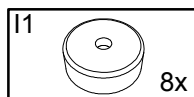
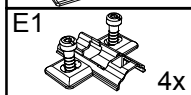
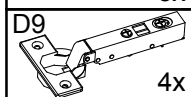
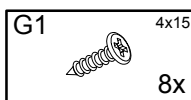
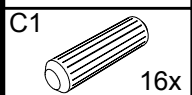
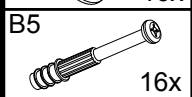
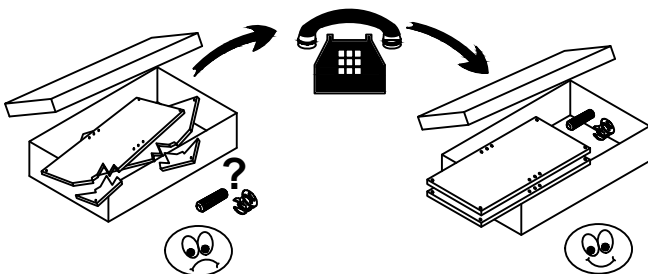
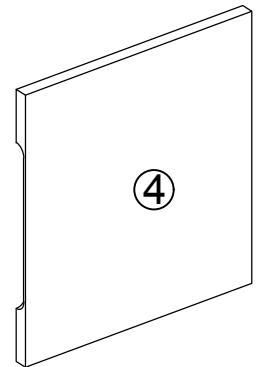
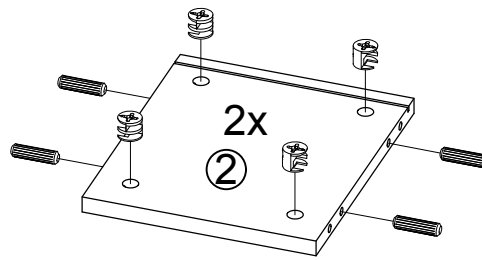
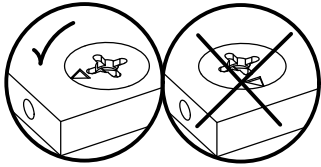
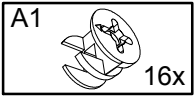
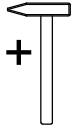
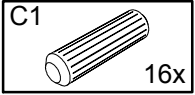
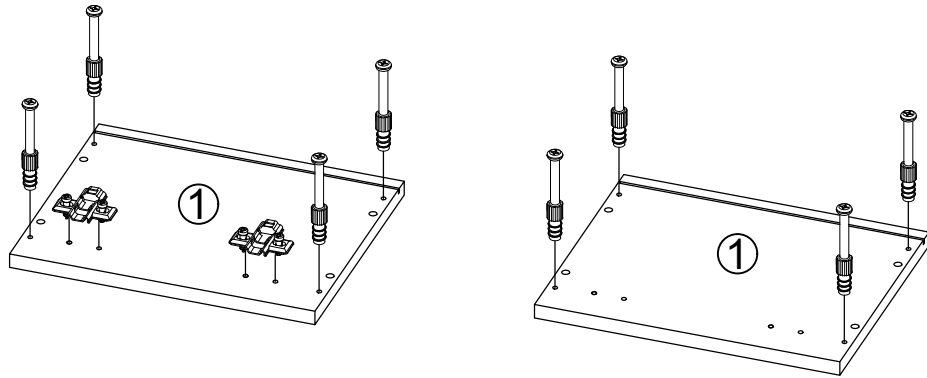
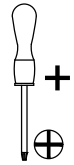
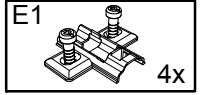
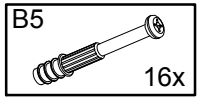
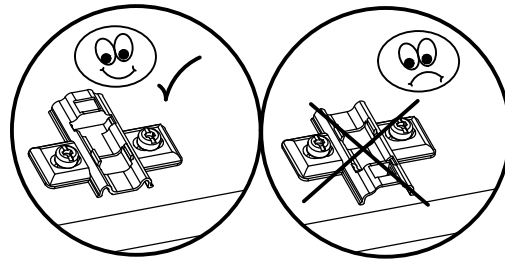


2x



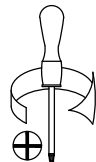
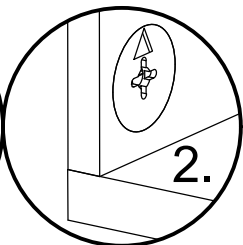
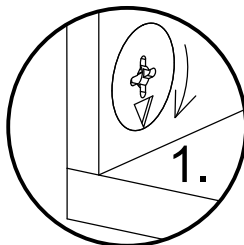
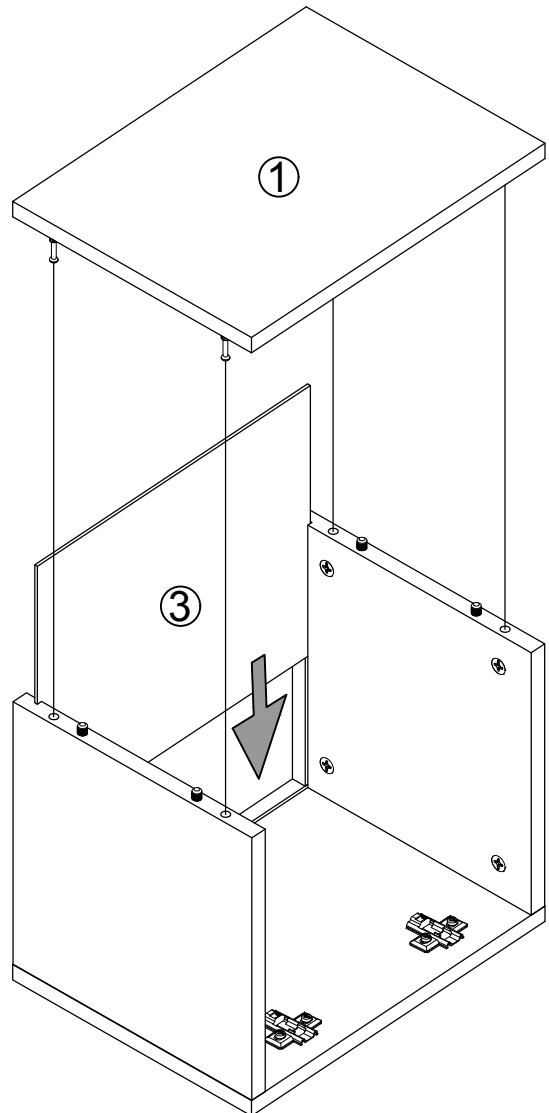
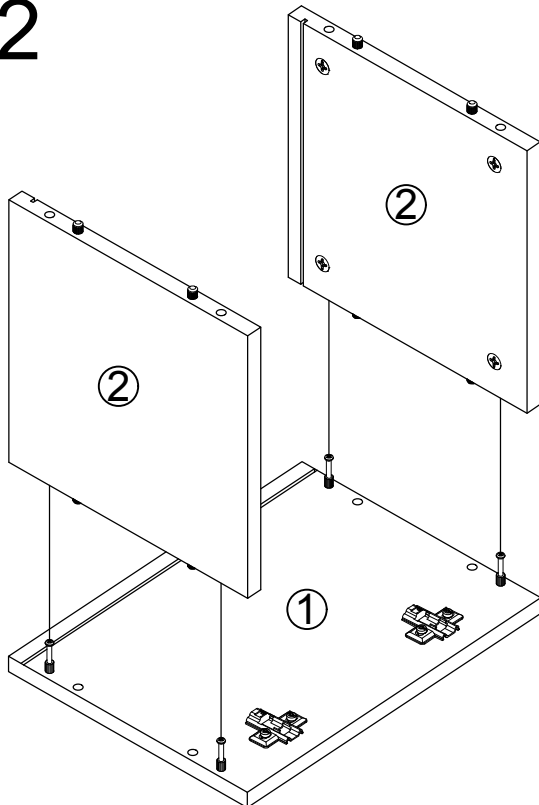
1

2x

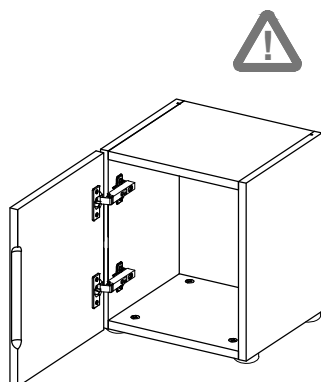
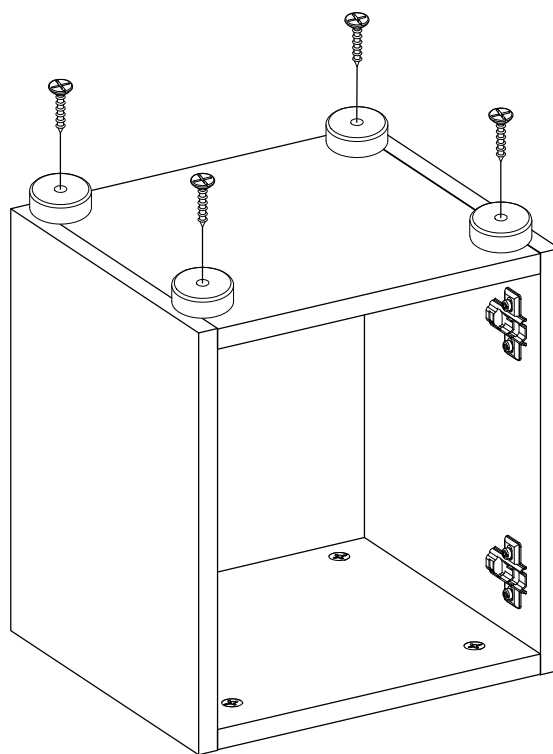
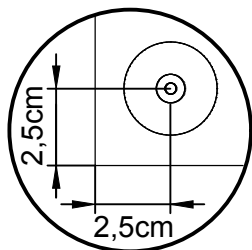
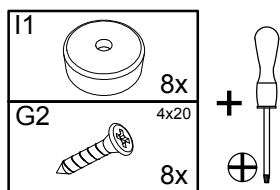
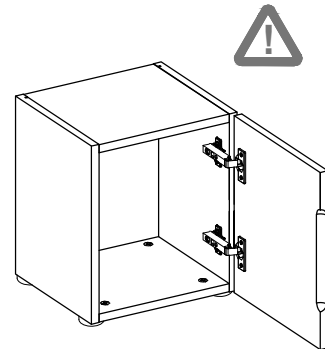
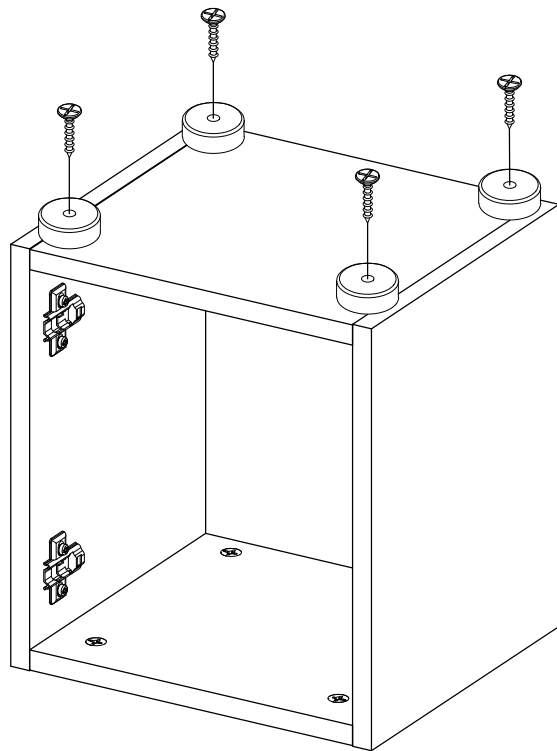


2

2x

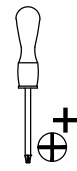
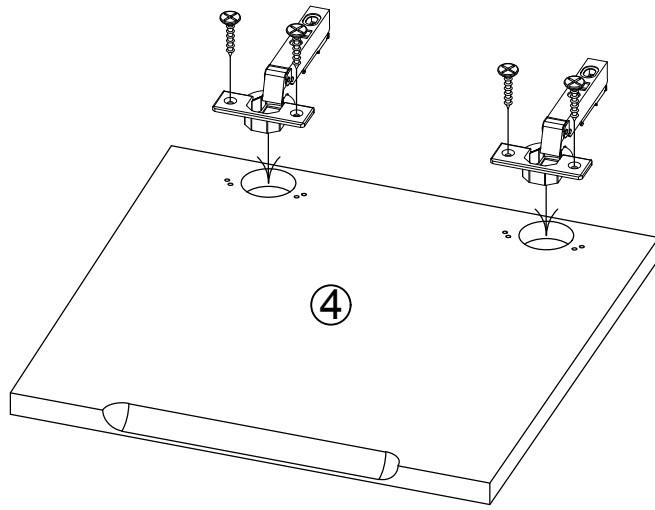


3



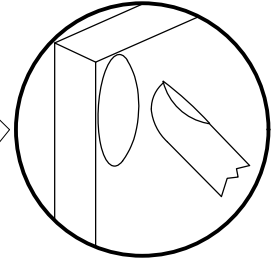
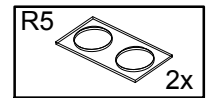
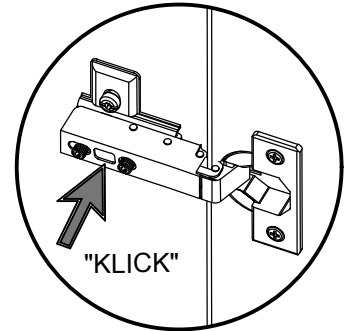
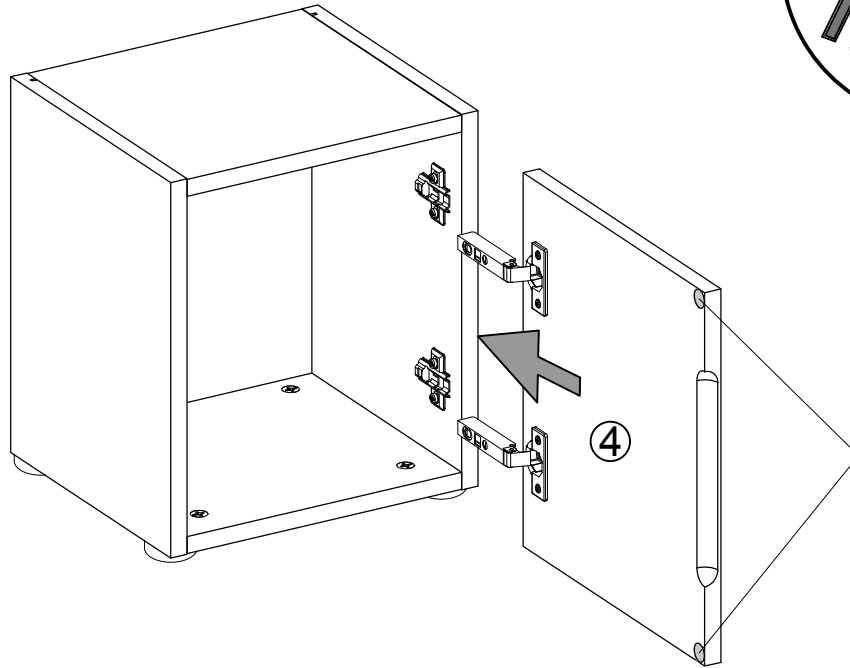
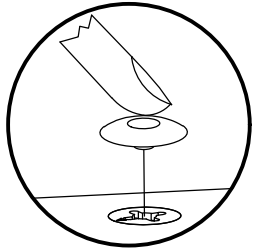
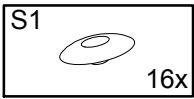
4

2x



| | |
|----|------|
| D9 | 4x |
| G1 | 4x15 |
| | 8x |

5



2x

